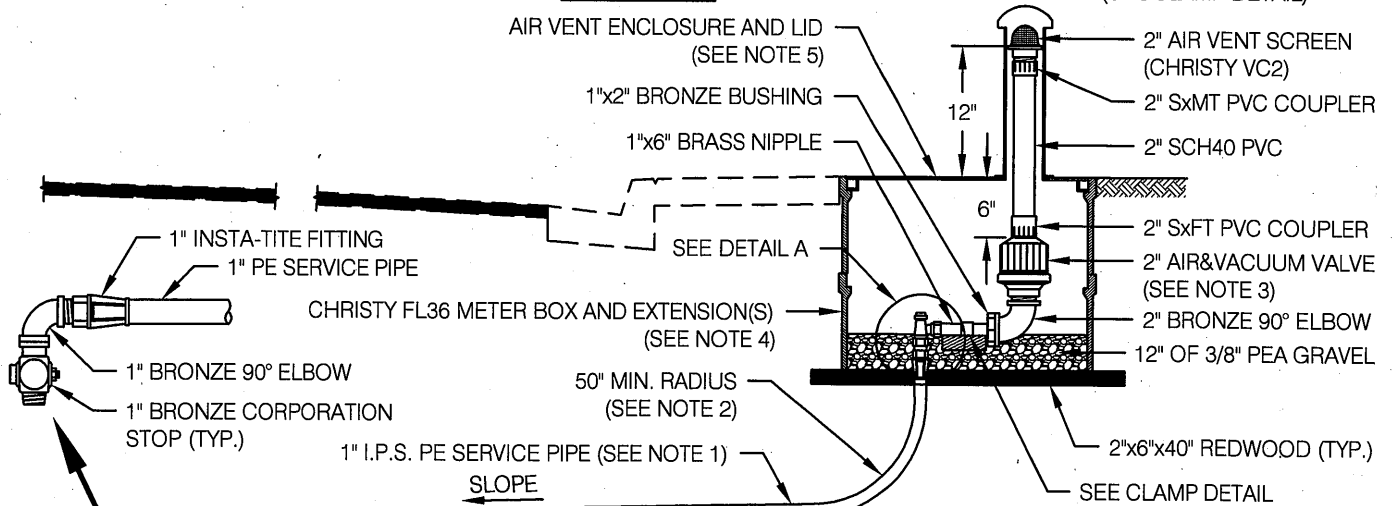
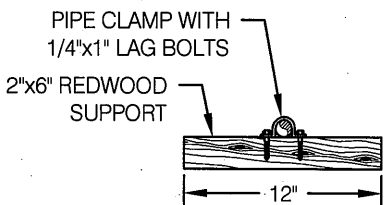


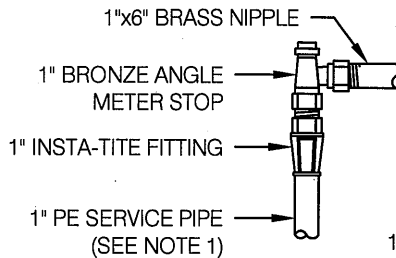
PLAN VIEW



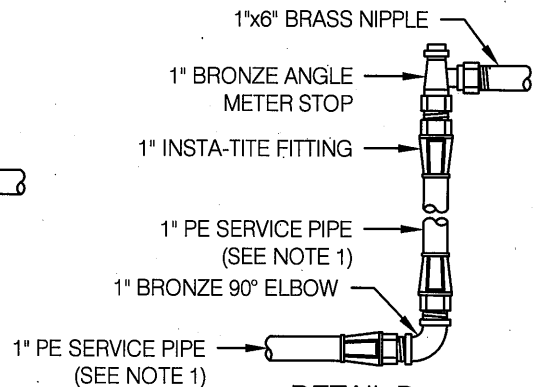
SECTION A-A



CLAMP DETAIL



DETAIL A



DETAIL B

NOTES:

- 4"-12" WATER MAIN: 1" IRON PIPE SIZE (I.P.S.) POLYETHYLENE (PE) SERVICE PIPE SHALL BE USED (SHOWN) AND SHALL CONFORM TO ASTM D-2239, PE3408 WITH A PRESSURE RATING OF 200 PSI AND A SDR OF 7.  
14"-24" WATER MAIN: 2" COPPER TUBE SIZE (C.T.S.) POLYETHYLENE (PE) SERVICE PIPE SHALL BE USED AND SHALL CONFORM TO ASTM D-2737, PE 3408 WITH A PRESSURE RATING OF 200 PSI AND A SDR OF 9. APPROPRIATE 2" FITTINGS AND COMPRESSION COUPLERS SHALL BE USED, AS DIRECTED BY THE DISTRICT ENGINEER. WHEN FIELD CONDITIONS WILL NOT ALLOW 85" MINIMUM RADIUS, USE DETAIL B WITH APPROPRIATE 2" FITTINGS FOR THE REQUIRED INSTALLATION.
- WHEN THE FIELD CONDITIONS WILL NOT ALLOW THE MINIMUM RADIUS SHOWN, USE DETAIL B FOR THE REQUIRED INSTALLATION.
- AIR & VACUUM VALVE SHALL BE BERMAD MODEL 02-ARC-P.
- METER BOX AND EXTENSION SHALL BE LIGHTWEIGHT FIBERGLASS REINFORCED PLASTIC OR APPROVED EQUAL, TOTAL COMBINED HEIGHT SHALL BE 24 INCHES.
- AIR VENT ENCLOSURE AND LID SHALL BE PLACER WATERWORKS MODEL: PW/AE3618-M OR APPROVED EQUAL. FURNISHED WITH FACTORY APPLIED EPOXY COATING; GREEN = POTABLE PIPELINES, PURPLE = NON-POTABLE PIPELINES. FIELD TOUCH-UP MAY BE REQUIRED AFTER INSTALLATION.
- PVC, STEEL & DI PIPELINES: SMITH-BLAIR 317 OR APPROVED EQUAL  
ACP & PE PIPELINES: SMITH-BLAIR 372 OR APPROVED EQUAL
- FOR DEVELOPED AREAS WITH ATTACHED SIDEWALKS, AIR & VACUUM VALVE SHALL BE LOCATED BEHIND THE SIDEWALK. FOR DETACHED SIDEWALKS, AIR & VACUUM VALVE SHALL BE LOCATED 5' FROM BACK OF CURB.



NOTE: CALL U.S.A. AT LEAST 48 HOURS PRIOR TO EXCAVATION 1-800-642-2444

REFER TO THE STANDARD SPECIFICATIONS

AIR RELEASE VALVE ASSEMBLY

APPROVED BY:   
DIRECTOR OF ENGINEERING

RCE #66517

7-18-12  
DATE

DETAIL  
W-16

REVISION  
3  
7-18-12